

ITEM NO.	PART NUMBER	DESCRIPTION	QTY.
1	CHART-100-02	Primary Sub-Assembly	1
2	CHART-102-00	Trash Box Sub-Assembly	1
3	CHART-103-00	Wall Mount Frame Sub-Assembly	1
10	CHART-102-00	Trash Box Sub-Assembly	1

REVISIONS			
REV.	DESCRIPTION	DATE	APPROVED
1	INITIAL RELEASE	10/19/2013	
2	UPDATED SW DRAWING	5/28/2020	

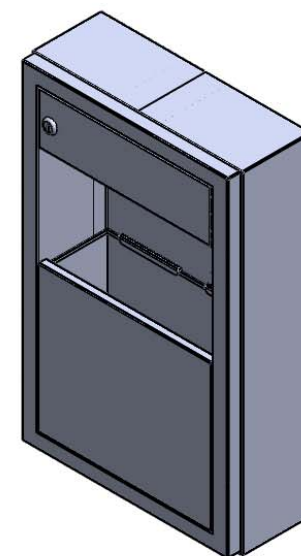
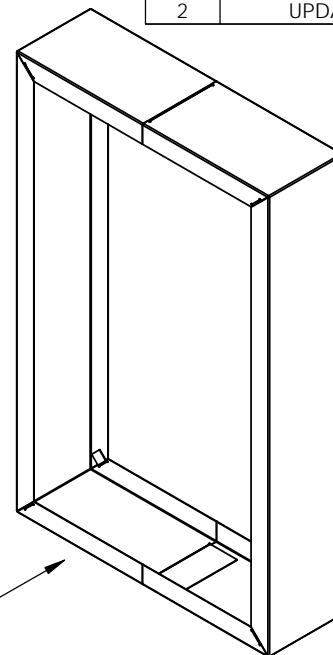
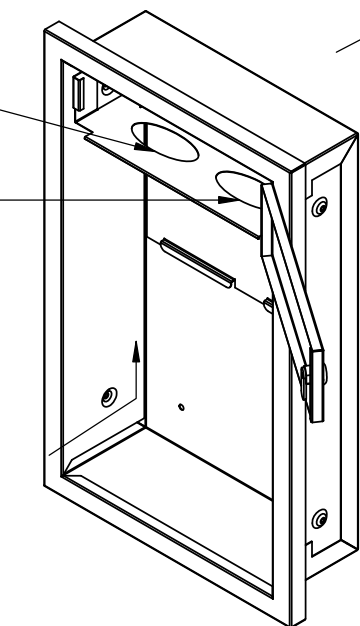
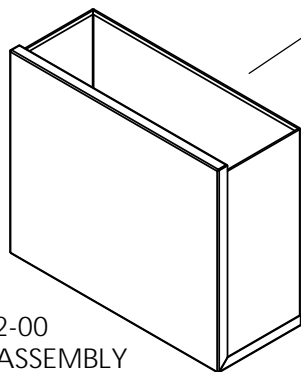
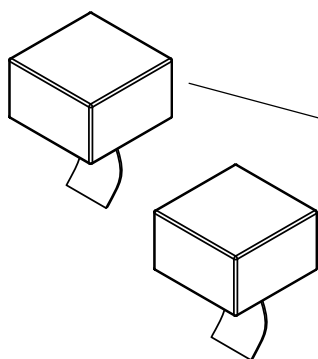


CHART-100-02
PRIMARY SUB-ASSEMBLY

CHART-103-00
WALL MOUNT FRAME
SUB-ASSEMBLY (OPTIONAL)

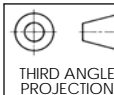
CHART-102-00
TRASH BOX SUB-ASSEMBLY

UNLESS OTHERWISE SPECIFIED:
DIMENSIONS ARE IN INCHES
ALL BENDS ARE 90 DEGREES
BEND RADIUS: 0.030
K-FACTOR = 0.4
TOLERANCES:
ONE PLACE DECIMAL ± .062
TWO PLACE DECIMAL ± .02
THREE PLACE DECIMAL ± .005
ANGULAR BEND: ± 1.0°

MATERIAL
22 GAUGE TYPE 304
POLISHED STAINLESS STEEL

TITLE:
DISPENSER ASSEMBLY

COMMENTS:



DWG. NO.
CHART-100-01

DO NOT SCALE SHEET 1/1

SIZE
B

REV
2